

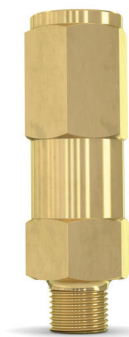
SAFETY RELIEF VALVE SV805 / 805A

7.27 up to 652.6 PSI



NEW – with smart features!

See page 3



SV805



SV805-ES



SV805A



SV805A-ES

Spring loaded, direct acting safety relief valve for venting excess pressure from receivers, pipelines and other equipment.

Benefits

- according to PED 2014/68/EU, category IV, Module B and D
- individual opening pressure
- TÜV-certification of pressure setting
- available in brass or stainless steel (ES)
- sealing material to suit gas or customer request
- compact size for easy, problem free installation
- range of inlet connections
- with / without condensation outlet
- protective dust cap
- SV805A (manual ventilation), for checking of safety function
- adapter for connection to ventilation pipe (optional)

Approvals

Manufactured and certified according to EN ISO 4126-1
Company certified according to ISO 9001
and PED 2014/68/EU Module H

CE-marked according to:
- PED 2014/68/EU

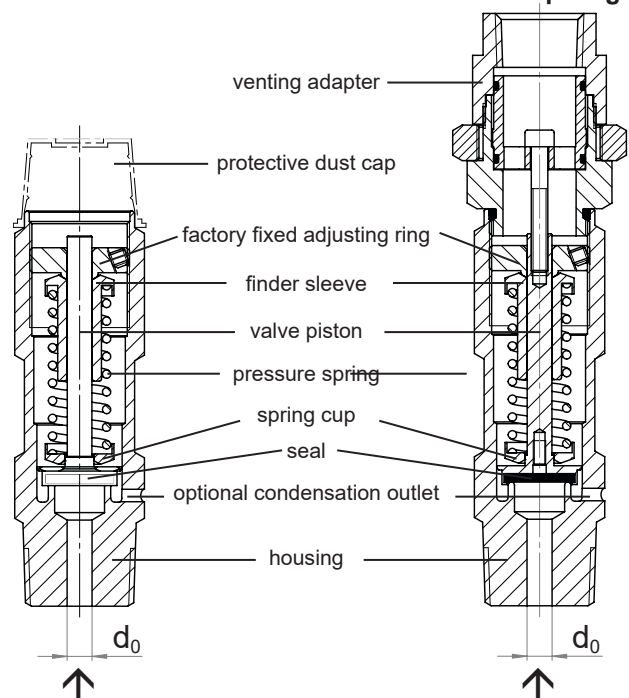
Designed for Oxygen Service in accordance with EIGA 13/20 and CGA G-4.4: Oxygen Pipeline and Piping Systems

Cleaned for Oxygen Service in accordance with EIGA 33/18 and CGA G-4.1: Cleaning of Equipment for Oxygen Service

Other models, options and accessories available on request.

Please identify the individual gases, temperature, opening pressure, inlet connection and with or without condensation outlet at the time of enquiring!

	SV805	SV805A
Manual ventilation	–	✓
Opening pressure	from 7.25 up to 652.6 PSI	
Gases	all technical gases	
Material	housing and metal turned parts made of brass or stainless steel, pressure spring made of stainless steel, valve seal considering to the gas	
Width across flats	1.06 inches	
Weight	approx. 0.57 lb	approx. 1.46 lb
Marking	CE0045 SV*d ₀ *D/G*a _w *p	
Drill hole (d₀)	0.24 inch at 7.25 up to 362.6 PSI 0.26 inch at > 362.6 up to 652.6 PSI	
Temperature range	-76 °F up to approx. +302 °F (in accordance to gas and valve sealing)	
Adapter	for connection to ventilation pipe at the outlet	–



SAFETY RELIEF VALVE SV805 / 805A

7.27 up to 652.6 PSI



Flow capacity for air at 73.4 °F (valid only for atmospheric back pressure)

Opening pressure [PSI]	7.25	14.5	29	43.5	58	72.5	87	101.5	116	130.5	145	159.5
Volume flow [SCFH]	498	667	1 134	1 430	2 560	2 762	3 228	3 694	4 164	4 630	5 438	5 936
Opening pressure [PSI]	174	188.5	203	217.5	232	246.6	261	275.6	290	304.6	319	333.6
Volume flow [SCFH]	6 434	6 932	7 430	7 928	8 426	8 928	8 687	9 147	9 606	10 068	10 527	10 986
Opening pressure [PSI]	348	362.6	377	391.6	406	420.6	435	449.6	464	478.6	493	507.6
Volume flow [SCFH]	11 446	11 905	13 773	14 285	14 797	15 309	15 821	16 333	16 845	17 354	17 866	18 378
Opening pressure [PSI]	522	536.6	551	565.6	580	594.6	609	623.6	638	652.6		
Volume flow [SCFH]	18 890	19 402	19 914	20 426	20 938	21 450	21 962	22 474	22 986	23 498		

Version	Burst pressure of housing	Overall length [inch]		Inlet male thread (M)	Outlet female thread (F)	
		SV805	SV805A		SV805	SV805A
Brass	5 802 PSI	3.54	5.39	G 1/4; 1/4" NPT G 3/8; 3/8" NPT M16 x 1.5; M18 x 1.5	M24 x 1	1/2" NPT
		3.74	5.59	G 1/2; 1/2" NPT G 3/4; 3/4" NPT M20 x 1.5		
Stainless steel (ES)	8 702 PSI	3.80	5.65	G 1/4; 1/4" NPT; 1/4" VCR G 3/8; 3/8" NPT; 3/8" VCR M16 x 1.5; M18 x 1.5	M24 x 1	1/2" NPT
		4.00	5.85	G 1/2; 1/2" NPT; 1/2" VCR G 3/4; 3/4" NPT M20 x 1.5		

Adapter (for SV805 optional) for connection to ventilation pipe at the outlet

Version	Adapter with O-ring seal	Order no.
Brass	M24 x 1 M - 1/2" NPT F	801413600K
	M24 x 1 M - 3/4" NPT F	802124900K
	M24 x 1 M - G 1/2 M with cone	802069800K
Galvanised steel	M24 x 1 M - 1/2" NPT F	801413703K
Stainless steel (ES)	M24 x 1 M - 1/2" NPT F	801727800K

SAFETY RELIEF VALVE SV805 with smart features



SV805 smart



SV805-ES smart

Top quality valves combined with high-tech sensors and electronic components – that’s the smart features from WITT.

The protected system must not exceed category III according per PED 2014/68/EU.

	SV805 smart
Opening pressure	from 7.25 up to 652.6 PSI
Gases	Non-flammable gases including O ₂ Flammable gases outside Ex Zone
Wetted materials	housing and metal turned parts made of brass or stainless steel, pressure spring made of stainless steel, valve seal material depending on gas
Width across flats	1.06 inches
Weight	approx. 0.57 lb
Marking	CE0045
Drill hole (d ₀)	0.24 inch at 7.25 up to 362.6 PSI 0.26 inch at > 362.6 up to 652.6 PSI
Temperature range	-22 °F up to +140 °F (in accordance to gas and valve sealing)
Power supply	24 V DC
Protection class	IP 54
Parameters	open / closed
Interface	M8, 4-pin plug
Digital output	NPN / PNP open Collector
Adapter	for connection to ventilation pipe at the outlet

Smart Features of safety relief valves

- optical display of status „open“ or „closed“ via a red/ green diode directly at the valve
- digital signal via a NPN / PNP open collector signal, for transmission to a control system

