

HD GAS FILTER STAINLESS STEEL



WITT gas filters for reliable protection against contamination.

Benefits

- filtering out of mechanical impurities through nickel chromium steel filter inserts
- broad range of uses – compatible with many technical gases
- change of filter possible while installed due to userfriendly design
- high flowrate thanks to flow maximising design
- reliable filtering performance increases service life of downstream fittings and equipment

Operation / Usage

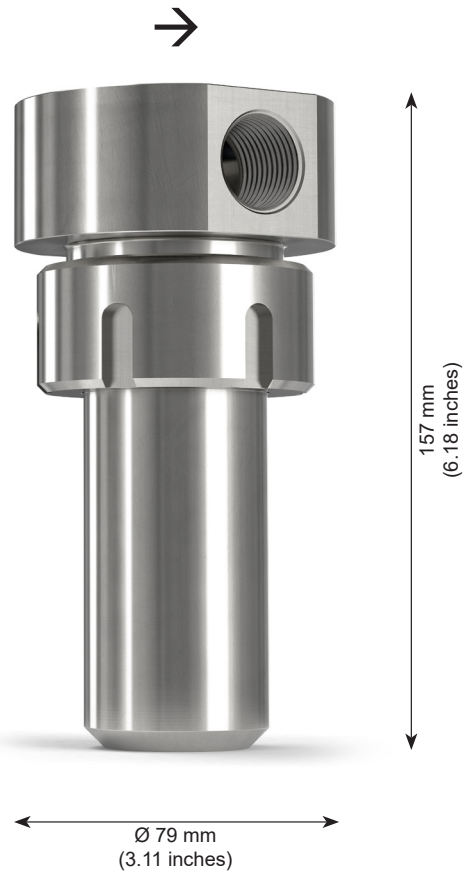
- the gas filter is designed for installation in pipelines

Maintenance

- the filter inserts must be checked regularly and replaced if necessary
- suitable for hook wrench HN 10 according to DIN 1810

Approvals

Company certified according to ISO 9001
 CE-marked according to:
 - PED 2014/68/EU



Designed for Oxygen Service in accordance with EIGA 13/20 and CGA G-4.4: Oxygen Pipeline and Piping Systems

Cleaned for Oxygen Service in accordance with EIGA 33/18 and CGA G-4.1: Cleaning of Equipment for Oxygen Service

Model	Max. working pressure [bar]	Material	Weight [g]	Filtering fineness	Connection [inch]		Order-No.
					Inlet	Outlet	
HD	Acetylene (A) 25.0	Elastomer, Stainless steel	2710	80 µm	both sides G 3/4 F	187-004	
	Argon (Ar)						
	Town gas (C)						
	Compressed air (D)		300.0	2745	30 µm	both sides G 3/4 F	187-005
	Ethylene (E)						
	Hydrogen (H)						
Natural gas (M)	100.0	2745	30 µm	both sides 3/4" NPT F	187-006		
Nitrogen (N)							
LPG (P)							
Carbon monoxide (CO)	50.0	2745	30 µm	both sides 3/4" NPT F	187-006		
Petrol fumes							
Diesel fumes							
Carbon dioxide (CO ₂)	100.0						
Oxygen (O)	50.0						
187-004 Replacement filter inserts of nickel chromium steel, Filtering fineness 80 µm							FI-187
187-005 Replacement filter inserts of nickel chromium steel, Filtering fineness 30 µm							FI-187-30

GF3 USA - F02/3F - subject to change