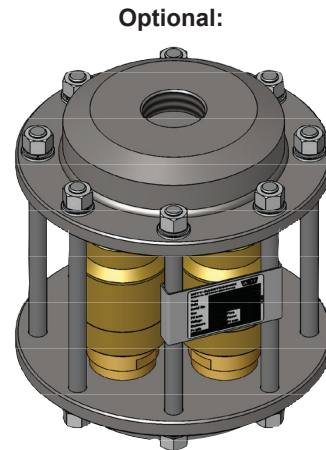


Parallel connection from 2, 4 or 5 Flashback Arrestors model 85-30



WITT Safety groups for reliable protection against dangerous reverse gas flow and flashbacks according to DIN EN ISO 5175-1. For applications with high flow rates. Every safety group 100% tested.

Benefits

- a large surface area flame arrestor [FA] of stainless steel construction extinguishes any dangerous flashback
- a temperature sensitive cut-off valve [TV] extinguishes sustained flashbacks long before the internal temperature of the arrestors reaches a dangerous level
- a spring loaded non-return valve [NV] prevents slow or sudden reverse gas flow forming explosive mixtures in the gas supply

Operation / Usage

- in central gas supplies (behind the manifold pressure regulator or in a pipeline system)
- in thermal processing systems according to EN 746-2 (cutting machines, furnace supply equipment)
- WITT safety groups may be mounted in any position / orientation in pipelines / supply pipes

- the maximum ambient / working temperature is 60 °C / 140 °F

Maintenance

- annual testing of the non-return valve, body leak tightness and flow capacity is recommended
- safety groups are only to be serviced by the manufacturer

Options

- connection: two-sided female thread (G-; NPT-; RC-thread)

Approvals

Company certified according to ISO 9001 and PED 2014/68/EU Module H

CE-marked according to:
- PED 2014/68/EU

Designed for Oxygen Service in accordance with EIGA 13/20 and CGA G-4.4: Oxygen Pipeline and Piping Systems

Cleaned for Oxygen Service in accordance with EIGA 33/18 and CGA G-4.1: Cleaning of Equipment for Oxygen Service

Model	Max. working pressure [bar]	Material	Weight [kg]	Length [mm]	Connection flange PN 40, DIN 2633	Order-No.
645 5-fold (5 x 85-30)	Acetylene (A) 1.5	Steel (stainless steel) Brass Elastomer	68	approx. 440	DN 50	upon request
	Town gas (C) 5.0					upon request
	Natural gas (M) 3.5					
	LPG (P) 4.0					
	Hydrogen (H) 4.0					
	Ethylene (E) 4.0					
Oxygen (O) 10.0						
645 4-fold (4 x 85-30)	Acetylene (A) 1.5	Steel (stainless steel) Brass Elastomer	53	approx. 440	DN 50	182-054
	Town gas (C) 5.0					182-007
	Natural gas (M) 3.5					
	LPG (P) 4.0					
	Hydrogen (H) 4.0					
	Ethylene (E) 4.0					
Oxygen (O) 10.0						
	Oxygen (O) 16.0		53	approx. 440	DN 50	upon request

Other connections and pressures available upon request

Model	Max. working pressure [bar]	Material	Weight [kg]	Length [mm]	Connection flange PN 40, DIN 2633	Order-No.		
645 2- fold (2 x 85-30)	Acetylene (A)	1.5	Steel (stainless steel) Brass Elastomer	44	approx. 440	DN 50	182-055	
	Town gas (C)	5.0					182-023	
	Natural gas (M)							
	LPG (P)							3.5
	Hydrogen (H)							4.0
	Ethylene (E)							4.0
Oxygen (O)	10.0	on request						
Oxygen (O)	16.0		44	approx. 440	DN 50			

Other connections available on request

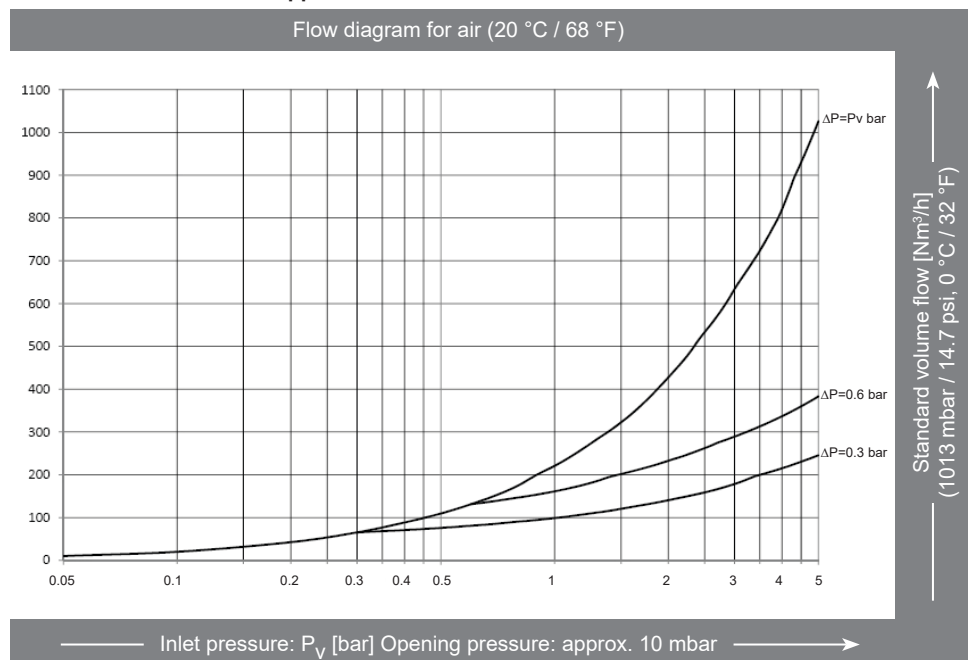
Note:
All flow rates are reduced approx. 50% at the 2- fold models

645

(4 x 85-30) 182-007

Conversion factors:

Acetylene	x 1.04
Butane	x 0.68
Natural Gas	x 1.25
Ethylene	x 1.02
Methane	x 1.33
Propane	x 0.80
Oxygen	x 0.95
Town gas	x 1.54
Hydrogen	x 3.75



645

(4 x 85-30) 182-008

