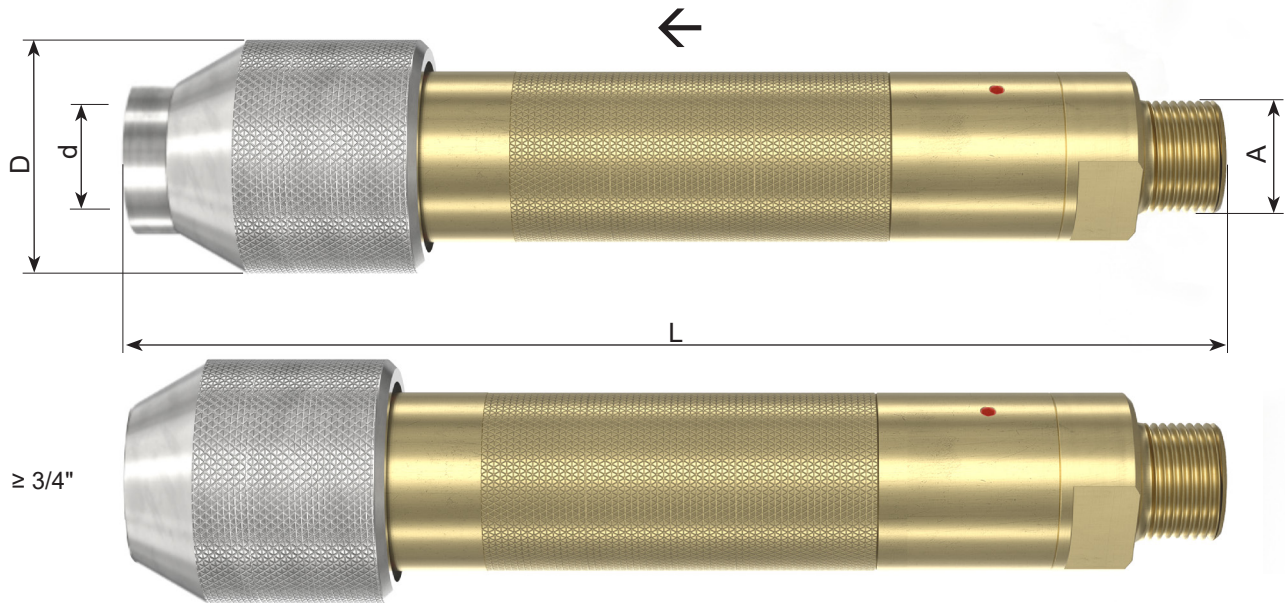


LANCE HOLDER SV

for oxygen lances 1/4" – 3/4"



Lance Holder for oxygen with integrated safety relief valve
All material in contact with oxygen is bronze or brass.
Seals manufactured from abrasion resistant, self extinguishing rubber.

- working temperature -10 °C – +60 °C

FA NV TV

Flame arrestor
Gas non-return valve
Temperature sensitive cut-off valve

Approvals
 EN 560, EN 9539
suitable for all pipes according to
 EN 10255

Part list

Description	Material
Lance-holder body	BR/BZ/N7 (CC493K)
Locking nut	AISI 303 (1.4305)
Lance pipe clamp	Spring steel 52SiCrNi5 (1.7117)
Housing of safety device	OT 58 (CW614N)
Sealing sleeve around lance pipe	Chloroprene rubber (CR)
Thermal fuse	PVC-U
Flame arrestor	sintered bronze
Inner parts	OT 58 (CW614N)
Springs	AISI 302 (1.4310)
O-Ringe	NBR

Technical Data

d Ø Lance	Lance tolerance	A	D	L	Weight	Max. working pressure	Order-No.
[mm] [inch]	Ø [mm]	Inlet connection male with cone [EN 560]	[mm]	[mm]	[g]	[bar]	
13.5 1/4"	12.0 - 14.0	3/4"	40	180	1 000	Oxygen (O) 20,0	040996700
17.2 3/8"	16.0 - 17.5	3/4"	55	270	1 850		040996600
21.3 1/2"	20.0 - 21.7	3/4"	55	270	1 850		040996800
26.9 3/4"	26.0 - 27.5	1"	60	260	2 450		040996900

Other connections available upon request