

DS AUTOMATIC

hose reel

The Safety Hose Reel DS for fuel gases and Oxygen provides safety and correct gas supply to your workplace.

Benefits

- easy handling; safety interlock of return mechanism provides traction relief from hose; two lock possibilities by one turn
- regular reel by hose door with roll guides on all sides; hoses will prevent from damage
- various applications by
 - alternatively mounting on wall-, slab-, bottom- or cylinder trolley
 - optional: pivoted wall fastening (150°)
- wear resistance increase lifetime and reduce costs by:
 - ball bearing trommel
 - long life return spring
 - pivot pin and rotor out of brass
 - plastic-coated surface
 - solid tube frame



- high quality equipment for safety
- reduces the risk of accidents by easy usage reel and automatic hose return
- protection against soiling by cover (option)

Model

DS Automatic

Gases

Acetylene, Oxygen (other gases on request)

Max. working pressure

Acetylene 1.5 bar, Oxygen 10 bar (other gases on request)

Gas connections

inlet hose reel

outlet twin hose

G 3/8 LH with nozzle 9 mm, G 1/4 RH with nozzle 6.3 mm
G 3/8 LH MG, G 1/4 RH MG

Twin hose

9 mm fuel gases, 6.3 mm Oxygen

Scope of delivery

standard with hose

Special accessories

pivoted wall fastening, cover

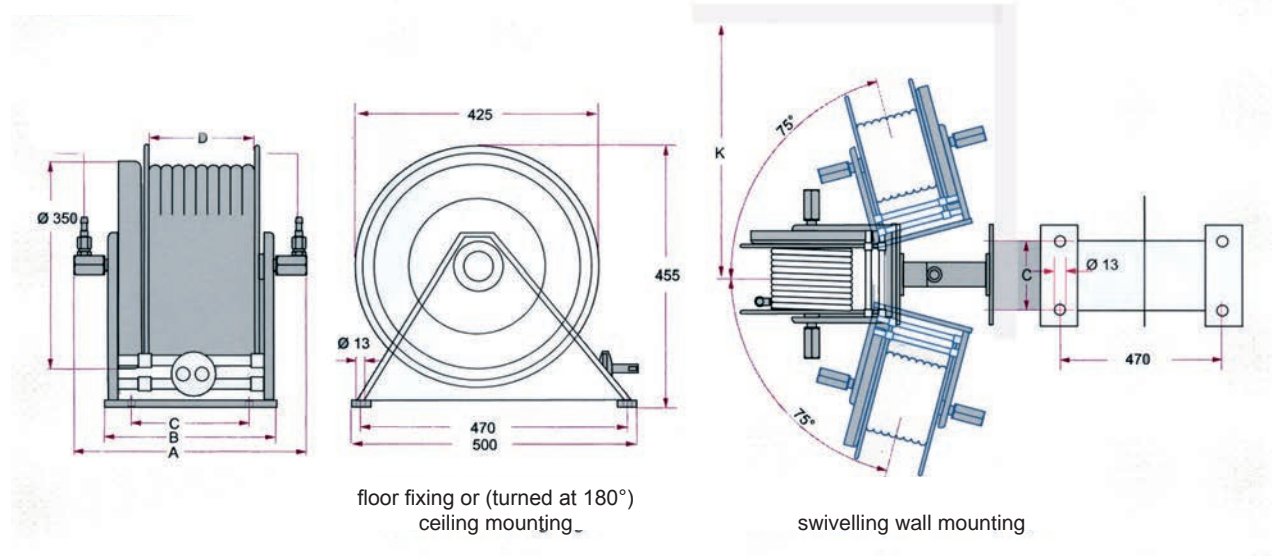
Approvals

Company certified according to ISO 9001

Model	Hose length [m]	Weight [kg]	Order-No.
DS- 8	8	20	060120800
DS-10	10	22	060121000
DS-15	15	28	060121500
DS-20	20	34	060122000
DS-25	25	39	060122500
DS-30	30	42	060123000
pivoted wall fastening for DS-8 and DS-10			060500200
pivoted wall fastening for DS-15 and DS-20			060500300
pivoted wall fastening for DS-25 and DS-30			060500400
cover on request			

DS AUTOMATIC hose reel

Dimensions in mm



Model	length A [mm]	length B [mm]	length C [mm]	length D [mm]	length K [mm]
DS- 8	310	265	240	100	435
DS-10	310	265	240	100	435
DS-15	420	305	215	185	435
DS-20	420	305	215	185	435
DS-25	500	395	300	275	435
DS-30	500	395	300	275	435