

INLINE-GAS ANALYSER



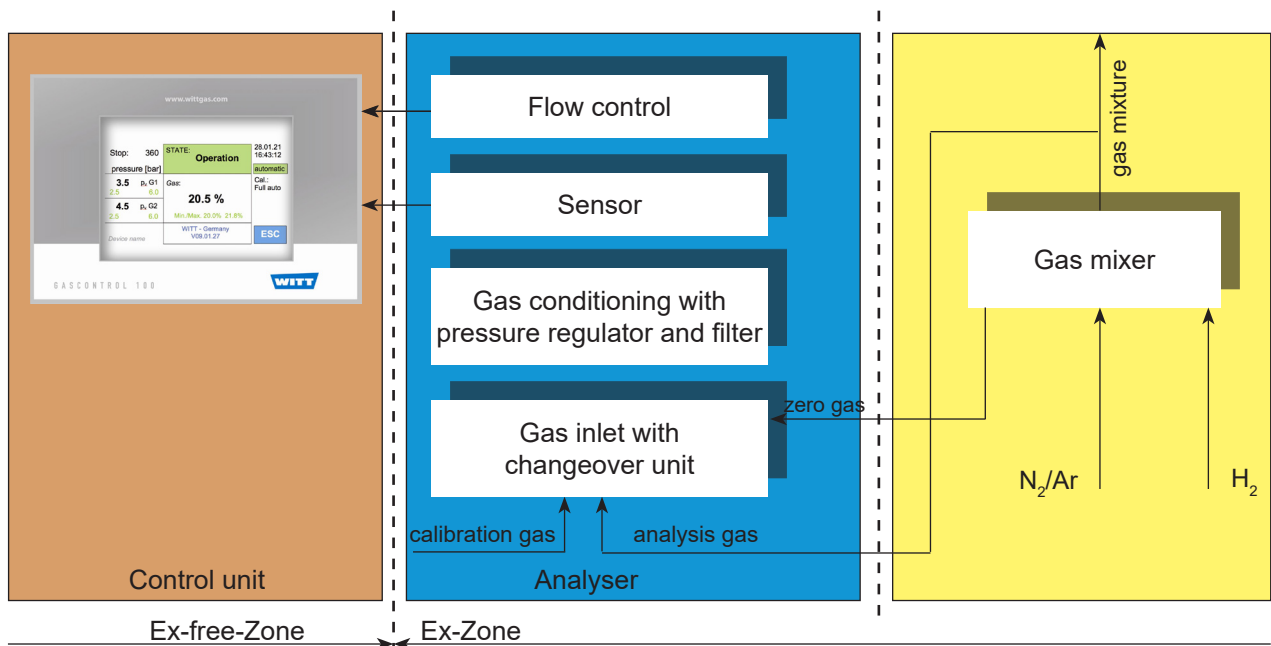
An analyser, available for integration with gas mixers or as a stand alone unit, for continuous analysis (in-line) of the gas concentration for a variety of industrial applications.

An analyser to guarantee quality and productivity of production processes.

Together with the exclusive GASCONTROL CENTER-Software the measured results can be documented providing complete traceability. Provide your customer with the results ensuring that your product has the best possible quality.



MAPY plug-in module



Scheme for fuel gases

Benefits

- intuitive operation by coloured touch screen control unit
- different user levels
- high process reliability
- continuous monitoring of limit values
- Ethernet-interface for documentation (QM) on control unit
- low expenses for calibration (admin mode)
- multilingual menu guide: German, English, Spanish, Italian, Polish, French, (more to follow)

Options

- exceeding set limits switching a potential free contact (common alarm)

- Ethernet interface design on back side of gas mixer
- USB interface design on back/front of gas mixer (depending on dimensions of housing)
- remote transmission of settings and measured values
- WITT Web Visio - remote and control of control unit
- full automatic calibration
- integrated measured data logging
- integrated digital printer
- e-mail service (accumulated error transfer)

Other models, options and accessories available on request.

Please identify the individual gases at the time of enquiring!

Measuring system

ATEX	Gases	Measuring system	Measuring range	Repeatability relating to full scale	Response time	Service life
	O ₂	chemical measuring cell	0-100%	± 0.2%	10 sec.	approx. 3 years in air
	O ₂	zirconia measuring cell	0-100%	± 0.1%	2 sec.	long lifetime
	O ₂	paramagnetic measuring cell	0-100% please indicate	± 0.02%	5 sec.	long lifetime
	CO ₂	infrared measuring cell	0-30% 0-100% please indicate	± 0.5%	6 sec.	long lifetime
X	CH ₄	infrared measuring cell	0-10% 0-100% please indicate	± 0.1%	10 sec.	long lifetime
	He	thermal conductivity	0-30% 0-100% please indicate	± 0.2% ± 0.5%	20 sec.	long lifetime
X	H ₂	thermal conductivity	0-10 % 0-30 % 0-100 % please indicate	± 0.5%	30 sec.	long lifetime

other gases on request

Type	integrated Analyser with gas mixer or stand alone Analyser
Calibration	simple two point calibration
Withdrawal	pressure regulator (factory set)
Temperature environment	- 5 °C – +40 °C (23 °F – 104 °F)
gas	-15 °C – +40 °C (5 °F – 104 °F)
Hazardous location ATEX (option)	zone 1, II 2G IIB+H ₂ T3
Gas connections (integrated) continuous measurement outlet at mixer	connected directly to receiver of gas mixer analysis gas Swagelok 6 mm for pipe OD 6 mm precision regulator Swagelok 6 mm for pipe OD 6 mm
Gas connections (stand alone unit) continuous measurement outlet	WITTFIX-Pipe Couplers for pipe OD 6 mm analysis gas WITTFIX-Pipe Couplers for pipe OD 6 mm precision regulator Swagelok 6 mm for pipe OD 6 mm
Inlet pressure regulator	max. 10 barg
Alarm contacts	2 potential free contacts for min. and max. settings (adjustable for each gas)
Interfaces	RS 232 (internal for printer) USB via stick for measure and fault data RJ45 Ethernet FTP-Server for measure and fault data, WebVisio, Software Update, analog output 4-20 mA or 0-10 V
Housing integrated stand alone unit	see data sheet according to gas mixer stainless stell, splash proof
Weight integrated stand alone unit	approx. 1.2 kg in addition to gas mixer approx. 20.0 kg
Dimensions (HxWxD) integrated stand alone unit	see data sheet according to gas mixer approx. 280 x 465 x 230 mm (11.0 x 18.3 x 9.0 inch) (sensor housing without connections) approx. 222 x 325 x 455 mm (8.7 x 12.8 x 17.9 inch) (separate control cabinet without connections)
Voltage	230 V AC, 110 V AC
Power consumption	230 V AC, 0.12 A (depends on sensor technology)
Approvals	Company certified according to ISO 9001 CE-marked according to: - EMC 2014/30/EU - Low Voltage Directive 2014/35/EU - ATEX 95 Directive 2014/34/EU Designed for Oxygen Service in accordance with EIGA 13/20 and CGA G-4.4: Oxygen Pipeline and Piping Systems Cleaned for Oxygen Service in accordance with EIGA 33/18 and CGA G-4.1: Cleaning of Equipment for Oxygen Servicestems